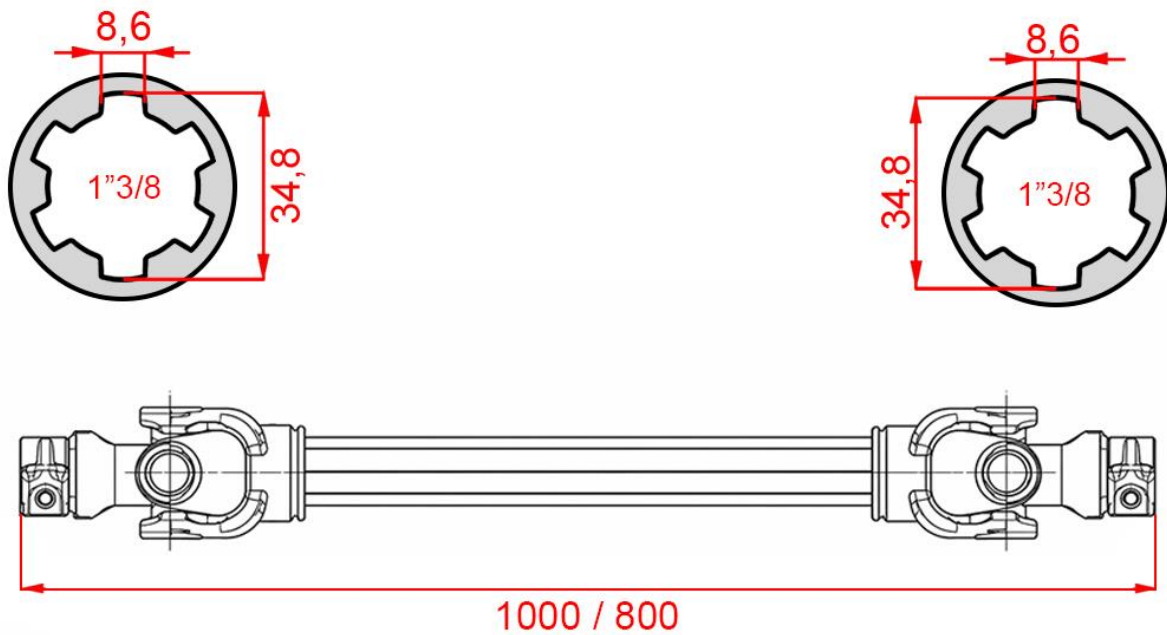


## DATA SHEET – DIMENSIONS

### CE APPROVED PTO SHAFT

### PROFI LINE



ITEM	CAT	MIN. LENGHT (mm)	POWER AT 540 rpm (hp)	POWER AT 1000 rpm (hp)	TORQUE AT 540 rpm (Nm)	TORQUE AT 1000 rpm (Nm)	KRIŽ (mm)
13703	2	1000	24	38	317	264	23,8 x 61x2
13704		800					
13705	4	1000	42	65	547	455	27 x 74,6
13706		800					
13707	6	1000	69	106	900	748	30,2 x 92
13708		800					
13708	8	1000	96	148	1250	1039	35 x 106,5